

# Document made available under the Patent Cooperation Treaty (PCT)

International application number: PCT/US2008/079259

International filing date: 09 October 2008 (09.10.2008)

Document type: Certified copy of priority document

Document details: Country/Office: US  
Number: 61/011,762  
Filing date: 22 January 2008 (22.01.2008)

Date of receipt at the International Bureau: 31 October 2008 (31.10.2008)

Remark: Priority document submitted or transmitted to the International Bureau in compliance with Rule 17.1(a) or (b)



117065

# THE UNITED STATES OF AMERICA

TO ALL TO WHOM THESE PRESENTS SHALL COME:

UNITED STATES DEPARTMENT OF COMMERCE

United States Patent and Trademark Office

*October 30, 2008*

**THIS IS TO CERTIFY THAT ANNEXED HERETO IS A TRUE COPY FROM THE RECORDS OF THE UNITED STATES PATENT AND TRADEMARK OFFICE OF THOSE PAPERS OF THE BELOW IDENTIFIED PATENT APPLICATION THAT MET THE REQUIREMENTS TO BE GRANTED A FILING DATE.**

**APPLICATION NUMBER: 61/011,762**

**FILING DATE: *January 22, 2008***

**RELATED PCT APPLICATION NUMBER: *PCT/US08/79259***

**THE COUNTRY CODE AND NUMBER OF YOUR PRIORITY APPLICATION, TO BE USED FOR FILING ABROAD UNDER THE PARIS CONVENTION, IS *US61/011,762***



Certified by

A handwritten signature in black ink, reading "Jon W. Dudas".

Under Secretary of Commerce  
for Intellectual Property  
and Director of the United States  
Patent and Trademark Office

012208

13049 U.S. PTO

PTO/SB/16 (10-07)

Approved for use through 06/30/2010. OMB 0651-0032

U.S. Patent and Trademark Office; U.S. DEPARTMENT OF COMMERCE

Under the Paperwork Reduction Act of 1995, no persons are required to respond to a collection of information unless it displays a valid OMB control number.

**PROVISIONAL APPLICATION FOR PATENT COVER SHEET - Page 1 of 2**

This is a request for filing a PROVISIONAL APPLICATION FOR PATENT under 37 CFR 1.53(c).

U.S. PTO

61/011762

01/22/2008

Express Mail Label No. \_\_\_\_\_

INVENTOR(S)		
Given Name (first and middle [if any])	Family Name or Surname	Residence (City and either State or Foreign Country)
Suzetta D. Vonzell	Vonzell	57494 BANDERA RD. YUCCA VALLEY CA. 92284

Additional inventors are being named on the \_\_\_\_\_ separately numbered sheets attached hereto

**TITLE OF THE INVENTION (500 characters max):**

twist-up CANDLE CONTAINER with LED Light COVER  
AND METHOD OF USE

Direct all correspondence to:

**CORRESPONDENCE ADDRESS**

The address corresponding to Customer Number:

[Empty box for Customer Number address]

OR

Firm or Individual Name

Address

Suzetta D. Vonzell 57494 BANDERA RD

City Yucca Valley

State CA.

Zip 92284

Country

Telephone 760-250-4320

Email

**ENCLOSED APPLICATION PARTS (check all that apply)**

Application Data Sheet. See 37 CFR 1.76

CD(s), Number of CDs \_\_\_\_\_

Drawing(s) Number of Sheets 7. seven

Other (specify) \_\_\_\_\_

Specification (e.g. description of the invention) Number of Pages 3. three

**Fees Due:** Filing Fee of \$210 (\$105 for small entity). If the specification and drawings exceed 100 sheets of paper, an application size fee is also due, which is \$260 (\$130 for small entity) for each additional 50 sheets or fraction thereof. See 35 U.S.C. 41(a)(1)(G) and 37 CFR 1.16(s).

**METHOD OF PAYMENT OF THE FILING FEE AND APPLICATION SIZE FEE FOR THIS PROVISIONAL APPLICATION FOR PATENT**

Applicant claims small entity status. See 37 CFR 1.27.

A check or money order is enclosed to cover the filing fee and application size fee (if applicable).

105.<sup>00</sup>

Payment by credit card. Form PTO-2038 is attached

TOTAL FEE AMOUNT (\$)

The Director is hereby authorized to charge the filing fee and application size fee (if applicable) or credit any overpayment to Deposit

Account Number: \_\_\_\_\_ A duplicative copy of this form is enclosed for fee processing.

**USE ONLY FOR FILING A PROVISIONAL APPLICATION FOR PATENT**

This collection of information is required by 37 CFR 1.51. The information is required to obtain or retain a benefit by the public which is to file (and by the USPTO to process) an application. Confidentiality is governed by 35 U.S.C. 122 and 37 CFR 1.11 and 1.14. This collection is estimated to take 8 hours to complete, including gathering, preparing, and submitting the completed application form to the USPTO. Time will vary depending upon the individual case. Any comments on the amount of time you require to complete this form and/or suggestions for reducing this burden, should be sent to the Chief Information Officer, U.S. Patent and Trademark Office, U.S. Department of Commerce, P.O. Box 1450, Alexandria, VA 22313-1450. DO NOT SEND FEES OR COMPLETED FORMS TO THIS ADDRESS. SEND TO: Commissioner for Patents, P.O. Box 1450, Alexandria, VA 22313-1450.

If you need assistance in completing the form, call 1-800-PTO-9199 and select option 2.

PROVISIONAL APPLICATION COVER SHEET  
Page 2 of 2

PTO/SB/16 (10-07)

Approved for use through 06/30/2010. OMB 0651-0032

U.S. Patent and Trademark Office; U.S. DEPARTMENT OF COMMERCE

Under the Paperwork Reduction Act of 1995, no persons are required to respond to a collection of information unless it displays a valid OMB control number.

The invention was made by an agency of the United States Government or under a contract with an agency of the United States Government.



No.



Yes, the name of the U.S. Government agency and the Government contract number are: \_\_\_\_\_

**WARNING:**

Petitioner/applicant is cautioned to avoid submitting personal information in documents filed in a patent application that may contribute to identity theft. Personal information such as social security numbers, bank account numbers, or credit card numbers (other than a check or credit card authorization form PTO-2038 submitted for payment purposes) is never required by the USPTO to support a petition or an application. If this type of personal information is included in documents submitted to the USPTO, petitioners/applicants should consider redacting such personal information from the documents before submitting them to the USPTO. Petitioner/applicant is advised that the record of a patent application is available to the public after publication of the application (unless a non-publication request in compliance with 37 CFR 1.213(a) is made in the application) or issuance of a patent. Furthermore, the record from an abandoned application may also be available to the public if the application is referenced in a published application or an issued patent (see 37 CFR 1.14). Checks and credit card authorization forms PTO-2038 submitted for payment purposes are not retained in the application file and therefore are not publicly available.

SIGNATURE

*Suzetta VonZell*

Date

1-18-08

TYPED or PRINTED NAME

Suzetta D. VonZell

REGISTRATION NO.

(if appropriate)

TELEPHONE

760-250-4320

Docket Number: \_\_\_\_\_

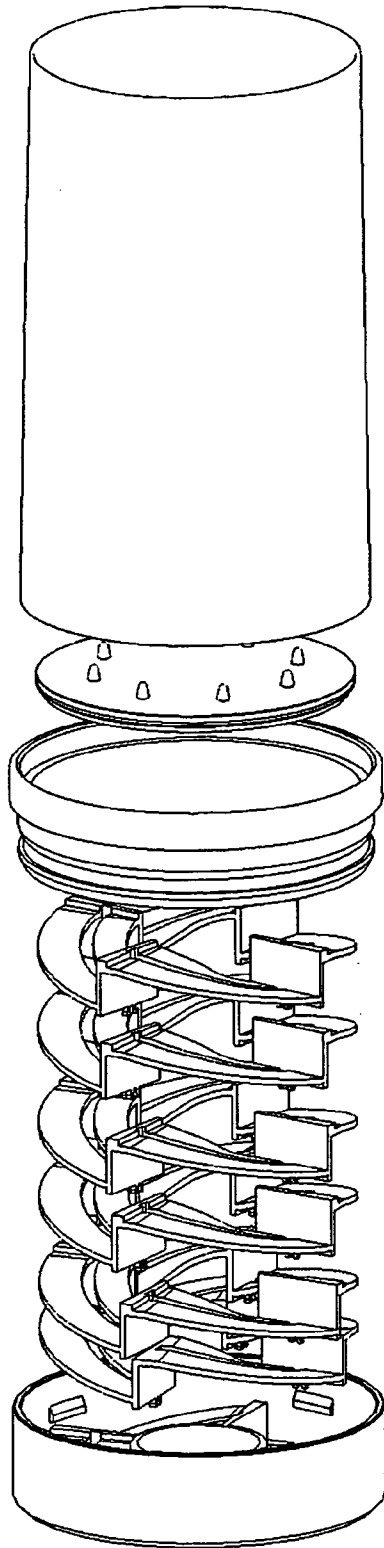
## Description Sheet of Invention

### twist-up CANDLE container AND method of use with LED light cover

1. A CANDLE AND container THAT CAN BE twisted-up. The CANDLE container HAS a twisting Bottom AREA That turns a CAM DISK That lifts piston plate up moving CANDLE. AFTER the CANDLE HAS Burned Down INTO the container part way. By twisting the wax CANDLE up, This keeps CANDLE Looking new AND Fresh AND EASER to light. CANDLE GLASS will BE cooler to Hold AND HAVE less smoked up AREAS AND will look Better. to Look AT when on Display the user Now CAN Burn more of the CANDLE AND get 100% use.
2. The CANDLE can BE MADE in many shapes AS long AS the push piston is the same SHAPE AS the container that way the piston CAN push CANDLE up in that SHAPE. The CAM DISK will BE PLACED UNDER piston AND will BE smaller than the piston so piston CAN HAVE many shapes the container CAN BE MADE of Glass plastic or many other materials
3. INTERNAL parts CAN BE MADE OF many materials metal, plastic, AND other the CAM CAN BE MADE of many materials AS well. The CAM parts will stack on top of each other untill twisted-up;

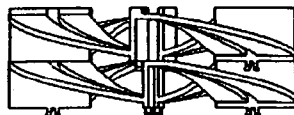
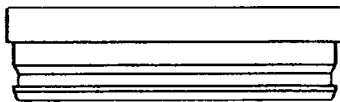
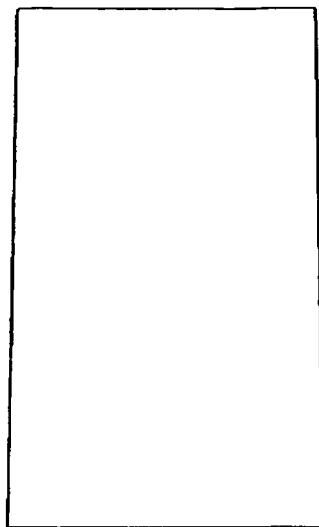
4. the method of using a 2 IN 1 CANDLE AND tea light LED light that is part of the CANDLE container the CANDLE container cover with LED light INSIDE COVER CAP CAN BE used AS a light when CANDLE is NOT BURNING cover will light in SIDE of container FROM top DOWN IN to container OR CAN BE REMOVED AND PLACED AWAY FROM CANDLE AS A tea light LED CANDLE ALSO CLAIMS It will fit at top of container RIM AND INSIDE of RIM with rubber stops AND OR. fit SNUG to top of container. AS A LID OR cover cap. It will contain Battery LED light push BUTON ON & OFF timer. OR remote ON & OFF Dome over LED light this will make unit look Great when turned upright AS a tea light OR UPSIDE DOWN INSIDE CANDLE container. IT CAN ALSO HAVE COLORED LED light AS-well other CLAIMS many BE use with reg CANDLES AND CAN twist-up CANDLES many shapes AND sizes. cover to. CAP. other claims the way BATTERY AND LED light fit in to cap cover. of CANDLE AND ON/OFF switch. plus clear smoked Dome. LED light may BE PLACED ANY where INSIDE of cover cap top, Bottom, OR SIDES,

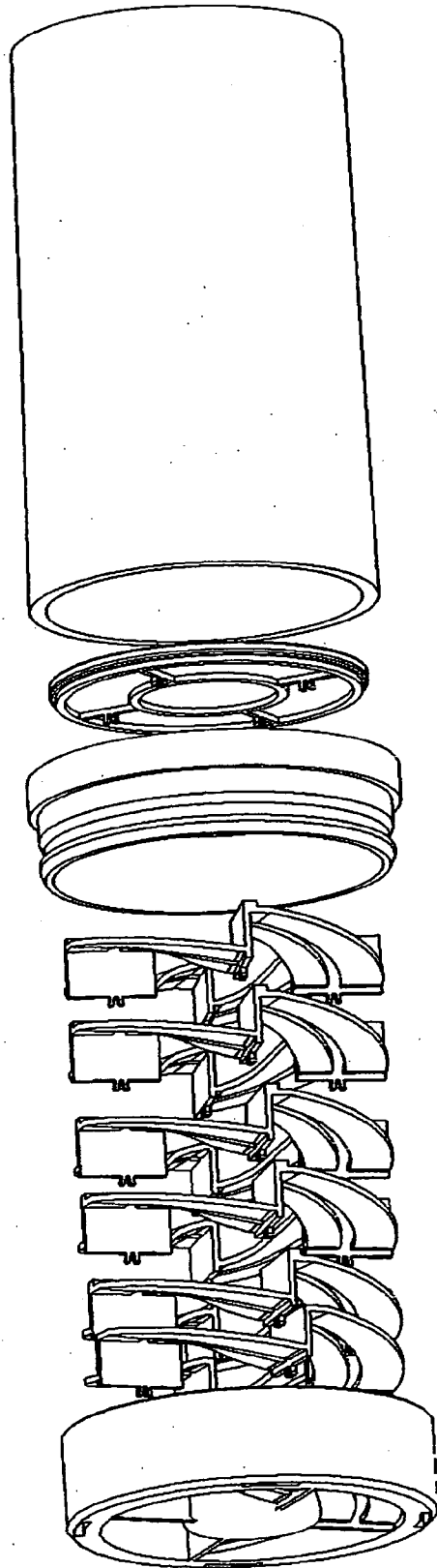
5. LED Light cover of cap may also have many shapes & sizes with non-slip base can also be made with a solar chip with rechargeable battery if wanted or needed.
6. the method of removing cover. as a tea light and placed away from candle. 2 in 1 candle.
7. cover LED light may have grip area in cover. to remove from container.
8. cover also can be turned upside down and placed on top of container candle cover will have a placement ring or small shaped area that fits down into candle container upside down keeping it from slipping off container. this will have a tea light LED in center of cover or any place on top. this will give it a different look as well or can be turned upside down and placed inside of container. making it a 3-1 cover. or placed away from candle.
9. LED light cover can be placed on a reg candle with out twist-up as well. with method of use. *Byett Vogel '08*



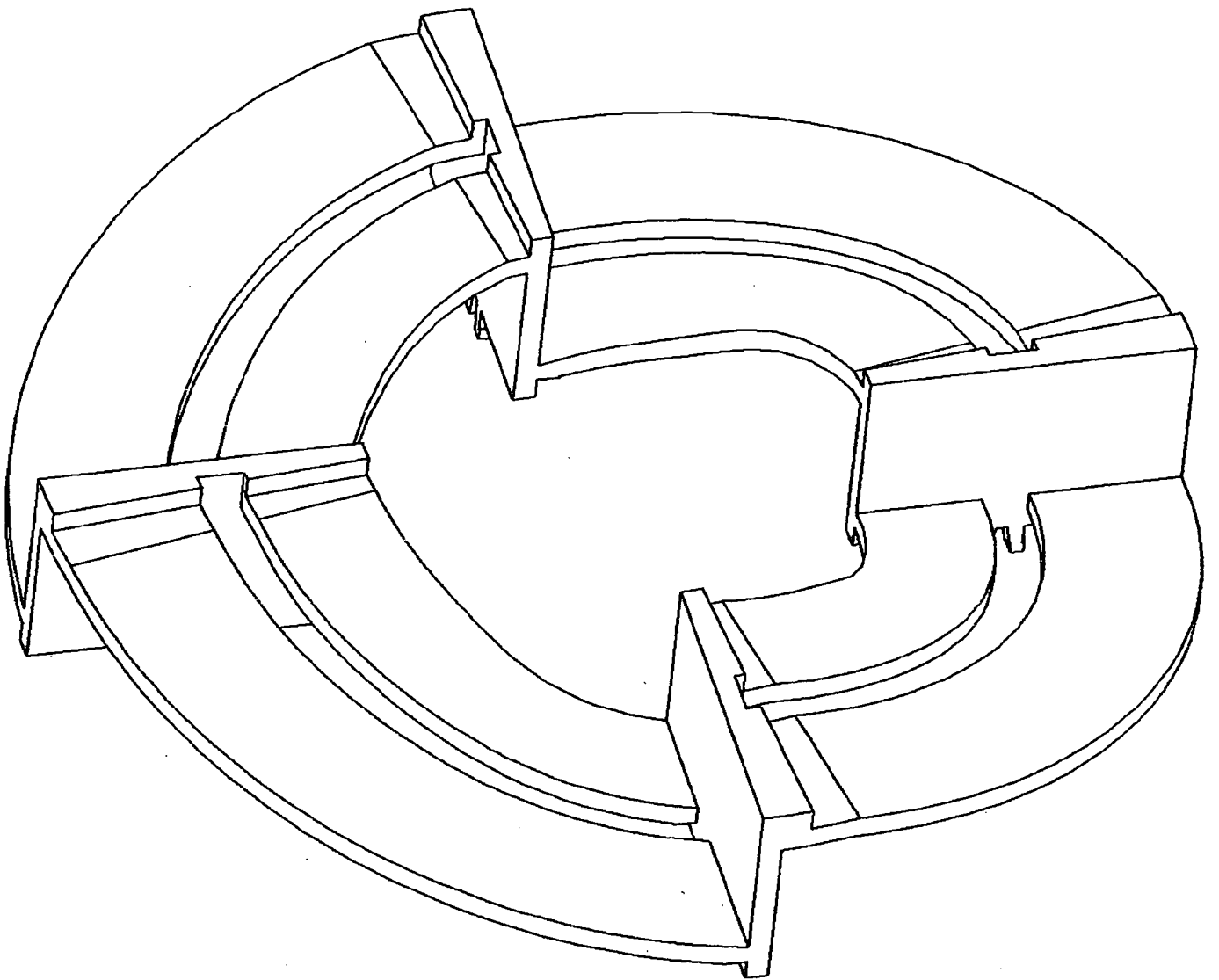
Ayett Voşell '08



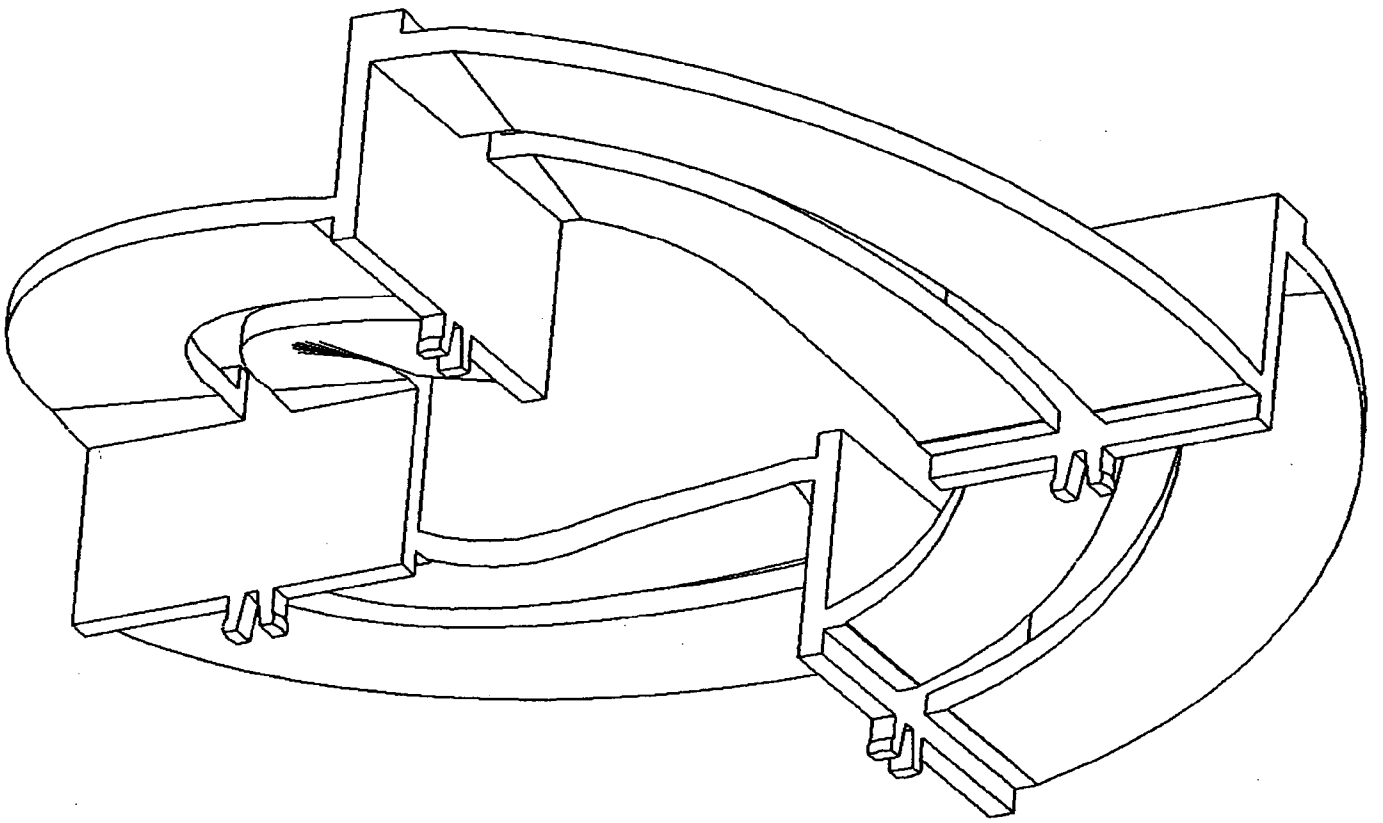




suzydt Vogel '08

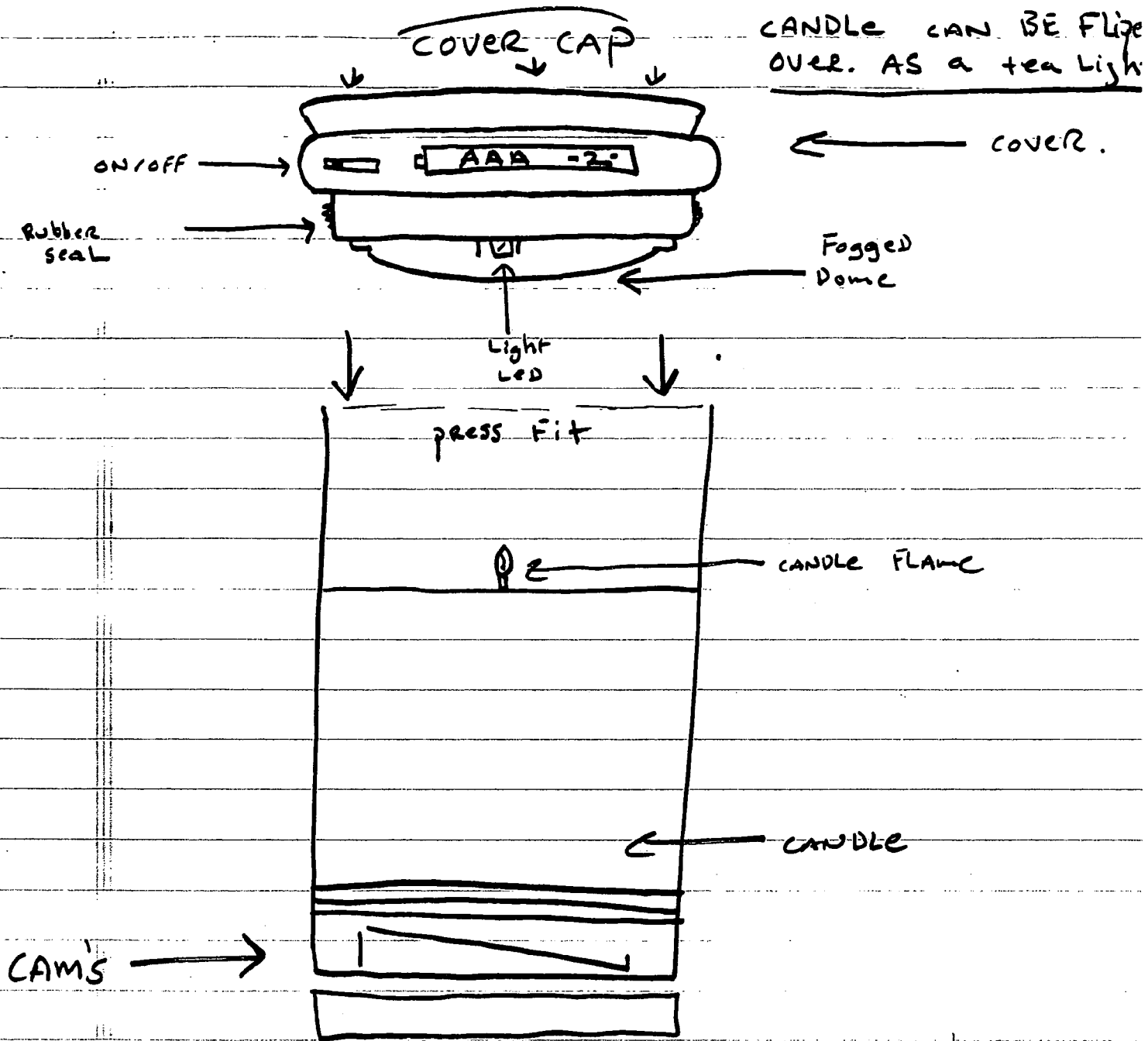


szett Vajell '08



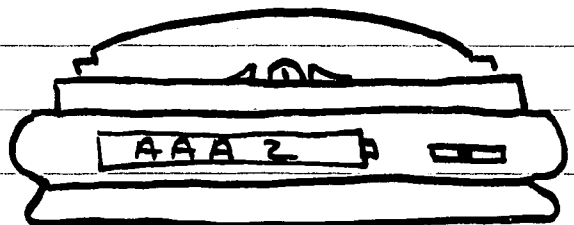
szett Vozell '08

3 & ONE CANDLE.



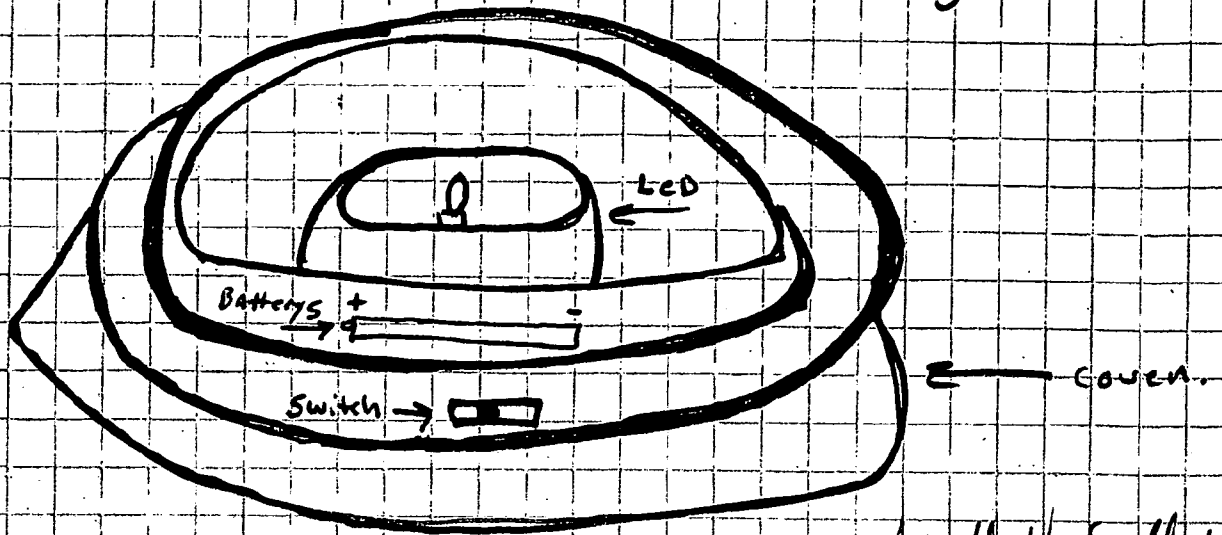
Myatt Vorzell '08

Flat on table  
tea Light



# UP-SIDE DOWN COVER.

tea light.



Lucretia Vorzjell '08