

# Document made available under the Patent Cooperation Treaty (PCT)

International application number: PCT/US2009/037099

International filing date: 13 March 2009 (13.03.2009)

Document type: Certified copy of priority document

Document details: Country/Office: US  
Number: 61/069,330  
Filing date: 14 March 2008 (14.03.2008)

Date of receipt at the International Bureau: 26 March 2009 (26.03.2009)

Remark: Priority document submitted or transmitted to the International Bureau in compliance with Rule 17.1(a) or (b)





**THE UNITED STATES OF AMERICA**

**TO ALL TO WHOM THESE PRESENTS SHALL COME:**

**UNITED STATES DEPARTMENT OF COMMERCE**

**United States Patent and Trademark Office**

*March 25, 2009*

**THIS IS TO CERTIFY THAT ANNEXED HERETO IS A TRUE COPY FROM THE RECORDS OF THE UNITED STATES PATENT AND TRADEMARK OFFICE OF THOSE PAPERS OF THE BELOW IDENTIFIED PATENT APPLICATION THAT MET THE REQUIREMENTS TO BE GRANTED A FILING DATE.**

**APPLICATION NUMBER: 61/069,330**

**FILING DATE: *March 14, 2008***

**RELATED PCT APPLICATION NUMBER: *PCT/US09/37099***

**THE COUNTRY CODE AND NUMBER OF YOUR PRIORITY APPLICATION, TO BE USED FOR FILING ABROAD UNDER THE PARIS CONVENTION, IS *US61/069,330***



Certified by

Under Secretary of Commerce  
for Intellectual Property  
and Director of the United States  
Patent and Trademark Office

U.S. PTO  
61/069330  
03/14/2008

PTO/SB/16 (10-07)

Approved for use through 06/30/2010. OMB 0651-0032  
U.S. Patent and Trademark Office; U.S. DEPARTMENT OF COMMERCE

Under the Paperwork Reduction Act of 1995, no persons are required to respond to a collection of information unless it displays a valid OMB control number.

**PROVISIONAL APPLICATION FOR PATENT COVER SHEET – Page 1 of 2**

This is a request for filing a PROVISIONAL APPLICATION FOR PATENT under 37 CFR 1.53(c).

Express Mail Label No. \_\_\_\_\_

14023 U.S. PTO  
031408

INVENTOR(S)		
Given Name (first and middle [if any])	Family Name or Surname	Residence (City and either State or Foreign Country)
LOUIS DALE	FREEMAN	RENO, NEVADA
Additional inventors are being named on the _____ separately numbered sheets attached hereto		
<b>TITLE OF THE INVENTION (500 characters max):</b>		
Hands free operation adhesive tape dispenser		
Direct all correspondence to: <b>CORRESPONDENCE ADDRESS</b>		
<input type="checkbox"/> The address corresponding to Customer Number: <span style="border: 1px solid black; display: inline-block; width: 150px; height: 20px; vertical-align: middle;"></span>		
<b>OR</b>		
<input checked="" type="checkbox"/> Firm or Individual Name <b>LOUIS D. FREEMAN</b>		
Address <b>P.O. BOX 7314</b>		
City <b>RENO</b>	State <b>NEVADA</b>	Zip <b>89510</b>
Country <b>USA</b>	Telephone <b>(775) 250-6048</b>	Email
<b>ENCLOSED APPLICATION PARTS (check all that apply)</b>		
<input type="checkbox"/> Application Data Sheet. See 37 CFR 1.76 <span style="margin-left: 150px;"><input type="checkbox"/> CD(s), Number of CDs _____</span>		
<input checked="" type="checkbox"/> Drawing(s) Number of Sheets _____ <span style="margin-left: 150px;"><input type="checkbox"/> Other (specify) _____</span>		
<input type="checkbox"/> Specification (e.g. description of the invention) Number of Pages _____		
<b>Fees Due:</b> Filing Fee of \$210 (\$105 for small entity). If the specification and drawings exceed 100 sheets of paper, an application size fee is also due, which is \$260 (\$130 for small entity) for each additional 50 sheets or fraction thereof. See 35 U.S.C. 41(a)(1)(G) and 37 CFR 1.16(s).		
<b>METHOD OF PAYMENT OF THE FILING FEE AND APPLICATION SIZE FEE FOR THIS PROVISIONAL APPLICATION FOR PATENT</b>		
<input checked="" type="checkbox"/> Applicant claims small entity status. See 37 CFR 1.27.		\$105.
<input checked="" type="checkbox"/> A check or money order is enclosed to cover the filing fee and application size fee (if applicable).		<b>TOTAL FEE AMOUNT (\$)</b>
<input type="checkbox"/> Payment by credit card. Form PTO-2038 is attached		
<input type="checkbox"/> The Director is hereby authorized to charge the filing fee and application size fee (if applicable) or credit any overpayment to Deposit Account Number: _____ A duplicative copy of this form is enclosed for fee processing.		

**USE ONLY FOR FILING A PROVISIONAL APPLICATION FOR PATENT**

This collection of information is required by 37 CFR 1.51. The information is required to obtain or retain a benefit by the public which is to file (and by the USPTO to process) an application. Confidentiality is governed by 35 U.S.C. 122 and 37 CFR 1.11 and 1.14. This collection is estimated to take 8 hours to complete, including gathering, preparing, and submitting the completed application form to the USPTO. Time will vary depending upon the individual case. Any comments on the amount of time you require to complete this form and/or suggestions for reducing this burden, should be sent to the Chief Information Officer, U.S. Patent and Trademark Office, U.S. Department of Commerce, P.O. Box 1450, Alexandria, VA 22313-1450. DO NOT SEND FEES OR COMPLETED FORMS TO THIS ADDRESS. SEND TO: Commissioner for Patents, P.O. Box 1450, Alexandria, VA 22313-1450.

If you need assistance in completing the form, call 1-800-PTO-9199 and select option 2.

PROVISIONAL APPLICATION COVER SHEET  
Page 2 of 2

PTO/SB/16 (10-07)

Approved for use through 06/30/2010. OMB 0651-0032  
U.S. Patent and Trademark Office; U.S. DEPARTMENT OF COMMERCE

Under the Paperwork Reduction Act of 1995, no persons are required to respond to a collection of information unless it displays a valid OMB control number.

The invention was made by an agency of the United States Government or under a contract with an agency of the United States Government.

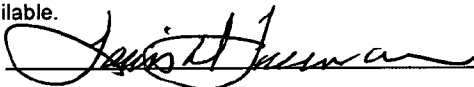
No.

Yes, the name of the U.S. Government agency and the Government contract number are: \_\_\_\_\_

**WARNING:**

Petitioner/applicant is cautioned to avoid submitting personal information in documents filed in a patent application that may contribute to identity theft. Personal information such as social security numbers, bank account numbers, or credit card numbers (other than a check or credit card authorization form PTO-2038 submitted for payment purposes) is never required by the USPTO to support a petition or an application. If this type of personal information is included in documents submitted to the USPTO, petitioners/applicants should consider redacting such personal information from the documents before submitting them to the USPTO. Petitioner/applicant is advised that the record of a patent application is available to the public after publication of the application (unless a non-publication request in compliance with 37 CFR 1.213(a) is made in the application) or issuance of a patent. Furthermore, the record from an abandoned application may also be available to the public if the application is referenced in a published application or an issued patent (see 37 CFR 1.14). Checks and credit card authorization forms PTO-2038 submitted for payment purposes are not retained in the application file and therefore are not publicly available.

SIGNATURE



Date

03/10/08

TYPED or PRINTED NAME

Louis D. FREEMAN

REGISTRATION NO.

(if appropriate)

TELEPHONE

775-250-6048

Docket Number:

## **Hands free operation adhesive tape dispenser**

### **Abstract**

A hands free adhesive tape dispenser comprising a protective housing shell consisting of a base, a body with tape cutting blade and a hinged lid/cover, including an interior turning hub for mounting adhesive tape rolls, the tape of which is threaded through a discharge opening to which the tape is available for quick access at the U notch where a finger or thumb easily fits to grasp the running end of the tape to pull and cut the desired length on the serrated cutting edge. The end of such tape rests at the dispenser's cutting edge ready for the next retrieval. The base plate comprising a rotary mount to which a role tape hub rides and actuated by movement as the user pulls tape from the dispenser housing during the tape retrieving and cutting process. As tape is severed a new tape end remains adhered until released by the next retrieved application. Hands free dispenser is worn on a person by means of the arm harness attachment, chest harness strap, detachable belt hook device, or attached to an object or wall mount by using the same.

Inventor: Freeman, Louis D (Reno, NV)

### **FIELD OF INVENTION**

This invention relates to hands free tape dispensers, and particularly to hands free tape dispensers for adhesive tape of the sort, which is used in construction sites, auto/marine repair shops, warehouse locations as well as office and home.

### **BACKGROUND OF THE INVENTION**

Tape dispensers are generally associated with home and office while few can be found among construction, workshop or industrial environments. Though there has been a constant effort to create tape dispensers that are handy, easy to use and inexpensive most workers in the construction, workshop or industrial environments are found using the bare roll of tape to tear off small strips to fasten loose ends of masking paper and the like. With each application the worker can be found setting aside the work at hand to focus entirely on the roll of tape, using both hands to find the tapes end, pulling out a desired length and tarring that desired length by using the thumb and forefinger. With each repetition the roll tape is set down often exposed to foreign airborne matter, dust, dirt, moisture and other elements that can compromise the tape composition. Repeating this task of picking up the roll tape, finding the end of tape, pulling the desired amount and

tarring it off then setting the tape back down time and again diminishes worker productivity. The - ready to use at any moment - convenience of a tape dispenser can be enhanced by locating the tape dispenser within easy reach of a workman's immediate space. Convenience is also enhanced if the roll tape end can be found easily extended from a protective case without visually looking for it and dispensed from the dispenser by using only one hand. This allows the workman to retrieve a clean dry tape end and dispense the tape without having to remove both-hands, nor eyes from the work item requiring tape.

Many tape dispensers currently on the market require the user to use both hands while distracting the visual attention from the task at hand. This forces the user to remove both hands *and* divert sight of the work piece each time a piece of tape is required. Other attempts to address a - hands free -, one hand dispenser of tape include apparatus (like that of a hand masker) with additional tape hub attachments to which a roll of tape is affixed. Although the roll tape remains on hand at the work place, the tape still requires both hands and a visual for dispensing each time the tape is needed. This type of tape dispenser (demanding one hand to hold down the apparatus and the other hand to pull the tape) can be inconvenient where the user repeatedly needs to dispense peaces of tape, which require a repetitive retrieval of the tape dispenser.

Therefore there is need for a case type tape dispenser in which the tape is protected within an enclosed case that will keep tape dry and free of contaminants and can remain easily and conveniently accessible to the user at all times as the user moves from work space to work space. There is also the need of a tape dispenser that remains easily and conveniently accessible that the user does not need to remove sight from the work peace while retrieving and dispensing the tape. There is also a need of a tape dispenser that does not require the user to pick up and put down the dispenser each time a peace of tape is needed. Additionally, there is also a need of a tape dispenser in which the tape can be retrieved and the desired length acquired by using only one hand.

To alleviate the problems of the traditional tape dispensers, some have proposed tape dispensers to be clipped or attached to an article of clothing in order for the dispenser to be with the user as the user moves from place to place. **U.S. Pat. No. 2,929,540** to Carey discloses a tape dispenser designed to dispense a spool of tape while having a sturdy clip on its backside so the dispenser can be clipped to the users belt. **U.S. Pat. No. 3,217,955** to Tinkey discloses a tape dispenser having a pair of slots in its backside to be affixed to a belt, which is worn around a persons waste. **U.S. Pat. No. 5,065,925** to Ridenout reveals a tape dispenser hosting a pair of clips, which allows the dispenser to be clipped to an article of clothing such as a pocket or belt. By having the tape dispenser attached to an article of clothing, the user has the tape with them as they move about from work space to work space. By having the tape attached to the body, tape can be found without visually looking for it while only requiring one hand to retrieve and

dispense it. These alleviate necessity of picking up and putting down each time tape is needed. However, these dispensers still fall short of a design that will meet the needs of many users.

Some have tried to extend the convenience of tape dispensers by designing them to be worn on the wrist or fingers. **U.S. Pat. No. 3,993,230** to Oakes reveals a tape dispenser having one or more openings in which a person's fingers may be extending through to support the tape dispenser. **U.S. Pat. No. 5,215,236** to Waddell reveals a clip on bracket, which is used to selectively support a conventional disposable type dispenser. Unfortunately, these types of dispensers are generally worn around a users hands, which confine the user from full use of both hands. Other wrist worn tape dispensers such as: **U.S. Pat. No. 5,961,066** to Hambleton show a roll tape holding devise strapped to a wrist in which the tape rides on a hub. Unfortunately, the device does not offer any protective measures for the tape nor does the device offer a cutting tool to cut the tape and maintain the end of the tape for easy access. No, although the tape is readily available, a person would have to hunt for the end of the tape, peel off the desired amount, then wrestle with one hand to cut the tape. Also **U.S. Pat. No. 6,085,955** to Hicks reveal a wrist mount tape holder with cutter that offers dispensing of small diameter roll tape. Unfortunately, where this device does offer utility for small diameter tape rolls, it does not offer tape protection from debris or the elements, nor does it offer platform for large diameter roll tape typically associated with construction and industrial uses.

While these units mentioned above may be suitable for the particular purpose employed, or for general use, they would not be as suitable for the purposes of the present invention as described hereafter.

## SUMMARY OF THE INVENTION

It is the object of the present invention to provide a tape dispenser that protects the adhesive roll tape from dirt, debris, moisture and the elements. Accordingly, a tape dispenser is provided that offers a protective case to install and house roll tape in which the user has easy access to the free running end of tape. It is another objective that the tape dispenser offers tape to be easily dispensed by extracting the tape using only one hand. It is yet another object that the tape dispenser be worn on the users upper or lower arm, clipped to the users belt or pocket or worn on the users chest or waist for convenient access at all times.

To accomplish the above and related objects, the invention may be embodied in the form illustrated in the accompanying drawing. Particular attention is called to the fact that the drawings are illustrative only. Variations are contemplated as being part of the inventions, limited only by the scope of the claims.

## BRIEF DISCRPTION OF THE DRAWINGS

In the drawings, like elements are depicted by like reference numerals. The drawings are briefly described as follows.

FIG. 1 is a perspective view of a tape dispenser according to the present invention mounted on a forearm with a roll of tape installed, the free running end of this roll tape is being dispensed.

FIG. 2 is a plan view of the tape dispenser with protective lid raised exposing the interior of the invention.

FIG. 3 is a plan view of the tape dispenser with protective lid raised exposing the interior of the invention with a roll of tape mounted on the hub and the free running end of the tape loaded for immediate retrieval at the finger notch.

FIG. 4 is a top plan of the tape dispenser.

FIG. 5 is a bottom plan of the tape dispenser.

FIG. 6 is a side view of the bottom plate.

FIG. 7 is a bottom plan showing attachment clip installed.

FIG. 8 is a multiple view of the attachment clip

FIG. 9 is a perspective view of the tape dispenser with attachable arm mounting harness.

FIG. 10 is a perspective view of the attachable arm mounting harness.

FIG. 11 is a multiple view of the free turning tape roll mounting hub.

FIG. 12 is a perspective view of the tape dispenser's utility while worn on the side.

FIG. 13 is a perspective view of the tape dispenser worn with chest harness.

FIG. 14 is a perspective view of the tape dispenser worn with attachable arm mounting harness on the upper arm.

## DETAILED DISCRPTION OF THE PREFERRED EMBODIMENTS

FIGS. 1-14 refers to a hands free tape dispenser **10** for protecting and securely housing a roll of adhesive tape **20**. As shown in FIG. 1 and FIG. 14, the tape dispenser **10** usually made of a plastic material may be securely fastened onto a user's lower or upper arm. As shown in FIG. 12 the tape dispenser may also be securely clipped and worn on the users trouser waste band or belt. The tape dispenser may also be worn as shown in FIG. 13 with an adjustable harness securing the tape dispenser to the user's chest.

Referring to FIG. 1, the tape dispenser **10** comprises an oval shaped body with rounded sidewalls **16** and slightly domelike lid cover **18**. The body is comprised with an upper and lower segment which are attached to form the rounded sidewall feature. The left sidewall of the tape dispenser shows an opening **34** and a U shaped notch **30**. The left side wall opening **34** allows the free running end of the adhesive tape roll **20** to protrude and adhere to the tape rest and cutting platform **22**. Adhesive tape is retrieved by inserting a finger or thumb into the U shaped notch **30**, grasping the tape, pulling to desired length and applying pressure on the tape against the serrated cutting edge of the tape rest and cut platform **22**.



Referring to FIG 2, access to the interior of the tape dispenser case may be achieved by placing a finger into the concaved opening at the top of the tape dispenser 32 and depressing the automatic latch hook 24, which opens the lid/cover 18. With the lid/cover open access is found to a rotary hub mount 36 in which a roll of adhesive tape 20 is placed to securely rotate upon. The lid/cover 18 is closed by returning the latch hook to the concaved opening 32 at the top of the tape dispenser then pressing the close lid indicator 26.

Referring now to FIG 3, with the tape dispenser lid 18 open a roll of adhesive tape 20 is pressed upon the rotary hub mount 36. The free running end of the roll tape is treaded through the left side opening of the tape dispenser body and adhered to the rest and cut platform 22. the lid is then closed in the same fashion as referred to earlier.

As shown in FIG. 5, the bottom plate 52 of the tape dispenser offers four rectangle openings 42 that either the arm harness 70 straps 72 or chest harness securing straps 80 are threaded through. FIG 5 also shows the securing braces 40 that hold the removable belt clip attachment in place.

Now referring to FIG. 6, a side view of the bottom plate 52 shows the nature of the securing braces 40 that hold the removable belt clip attachment. This view also reveals the stationary hub in which the free turning tape mount turns upon.

Referring to FIG. 7, a bottom plan view 52 of the tape dispenser is seen with the removable belt clip attachment 44 held securely in place by the securing braces 40. Adjacent to FIG 7, FIG 8 reveals a multiple view of the removable belt clip attachment.

FIG. 9 offers a perspective of the arm harness 70 working in concert with the tape dispenser. Notable features such as the harness straps 72 are threaded through the securing ports of the tape dispenser allowing the tape dispenser to ride securely in place.

As seen in FIG. 10, the arm harness 70, has two securing straps 72. At the ends of each strap 72 a strip of hooked material is affixed 74. These harness straps and hooked material is used to secure the arm harness to the desired tension on the arm by allowing the hooked material to adhere to the loop material 78 attached to the harness70.

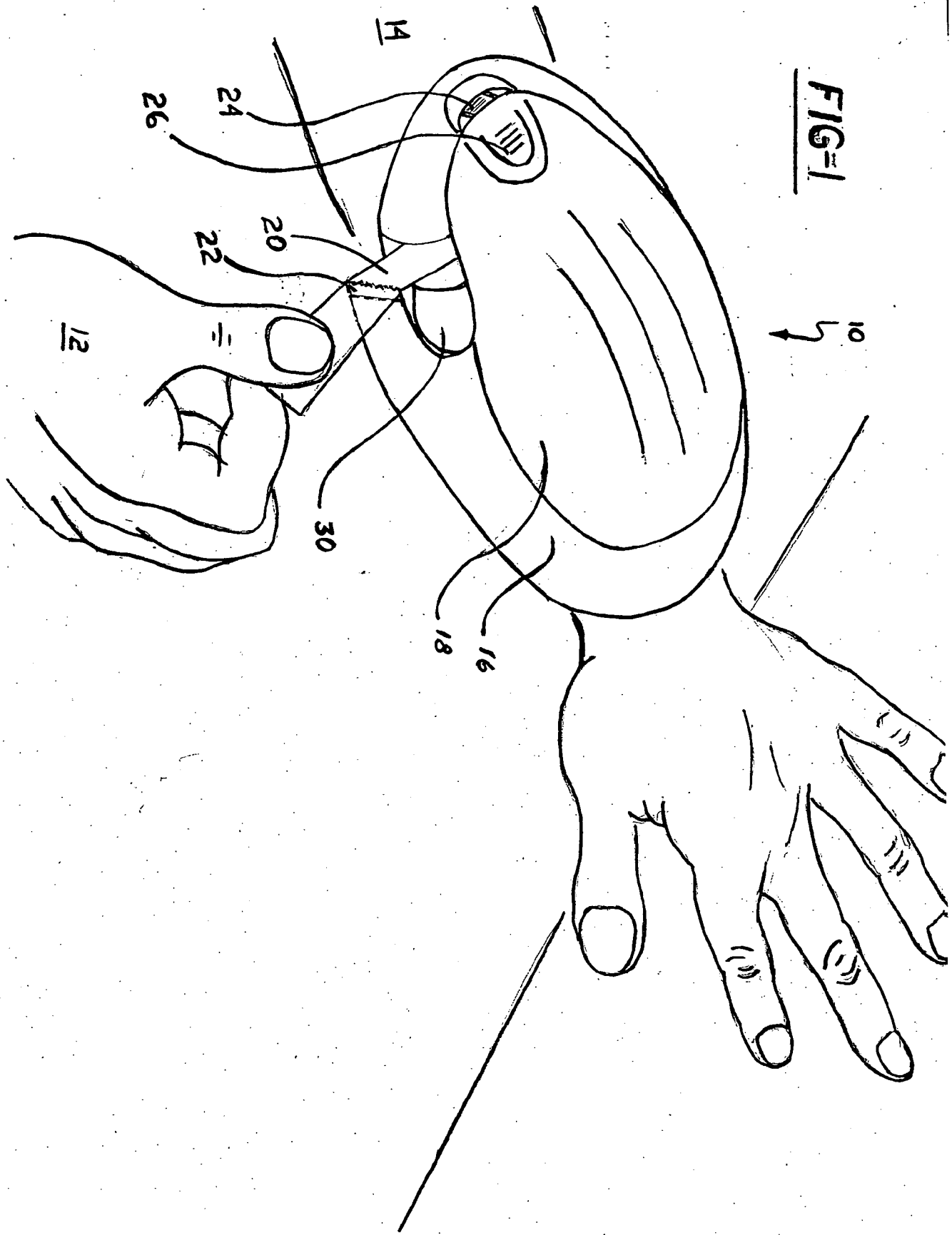
Referring to FIG. 11 a side view of the bottom plan 52 is shown stationary mounting hub along with the multiple views of the complimenting tape roll - mounting hub.

FIG. 12 offers a perspective of the utility of the tape dispenser **10** as it is worn by using the detachable belt clip **44**.

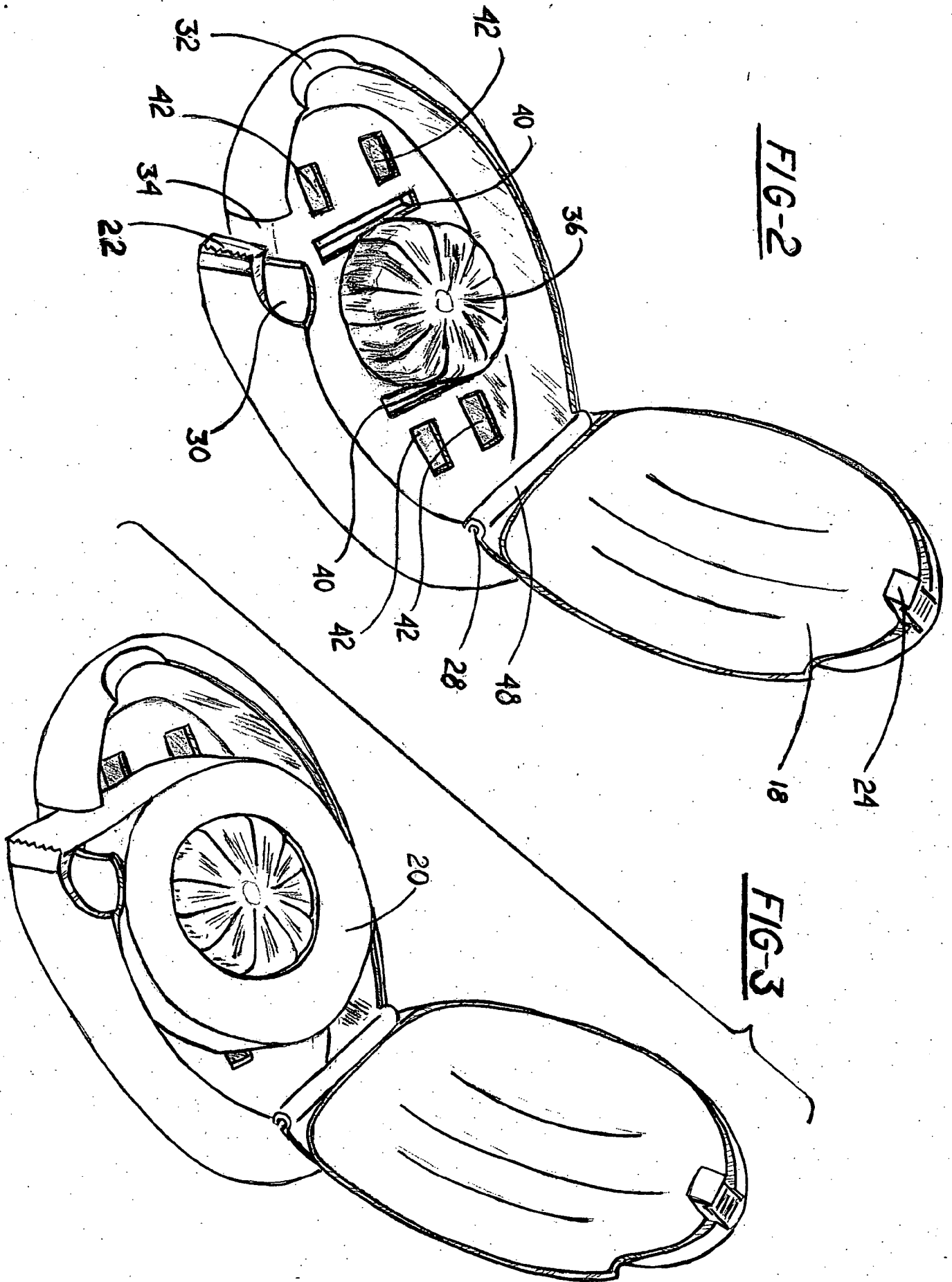
FIG. 13 offers a perspective of the utility of the tape dispenser **10** as it is worn by using the removable chest harness **80**.

The tape dispenser **10** comprises a many possibilities of fastening means. According to the preferred embodiment, the fastening means **70** is a nylon type fabric in which a hook and loop material is attached to offer the securing properties to hold the harness in place. Another preferred embodiment is the detachable clip **44** typically made from the same plastic type material as the tape dispenser body. The other preferred embodiment is the detachable harness **80**, usually made of a nylon type material, is comprised of adjustable straps with a securing hook and eye type closure.

Many specific details contained in the above description merely illustrate some preferred embodiments and should not be construed as a limitation on the scope of the invention. The forgoing drawings, discussions, and description are illustrative of some embodiments of the present invention, but are not meant to be limitations of the practice thereof.



**FIG=1**



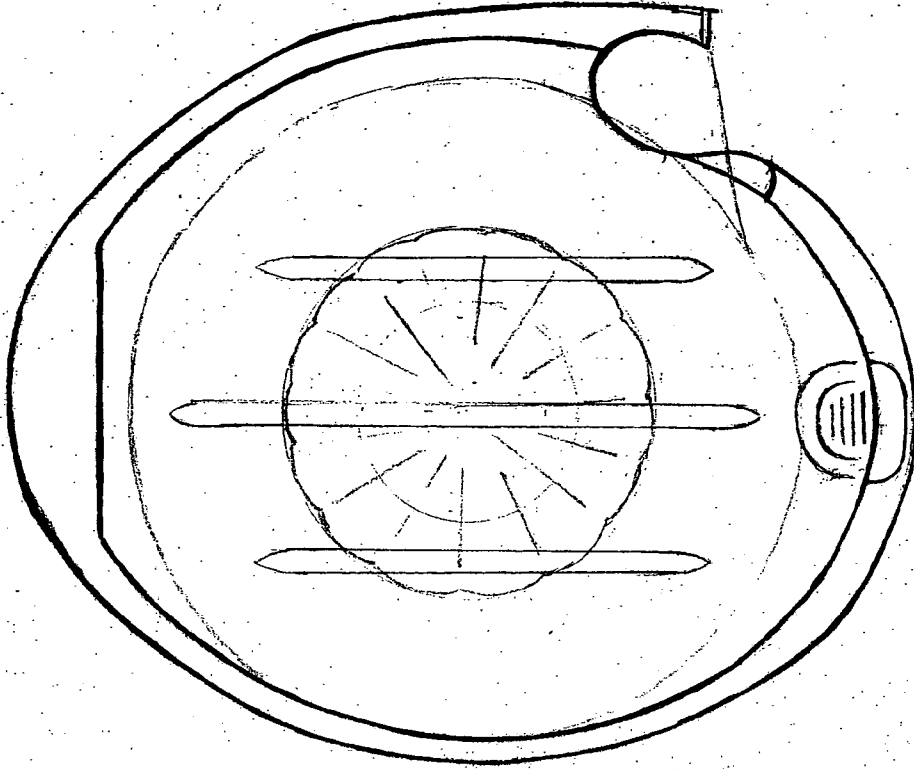


FIG-4

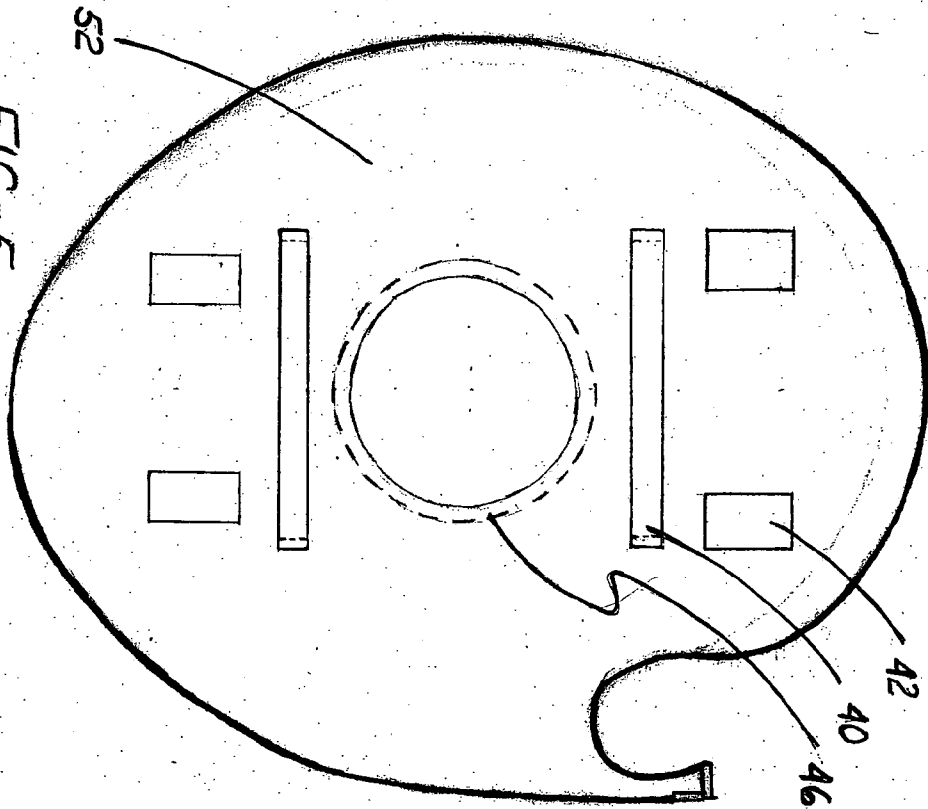


FIG-5

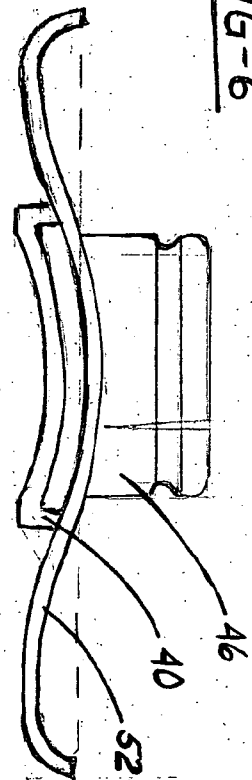
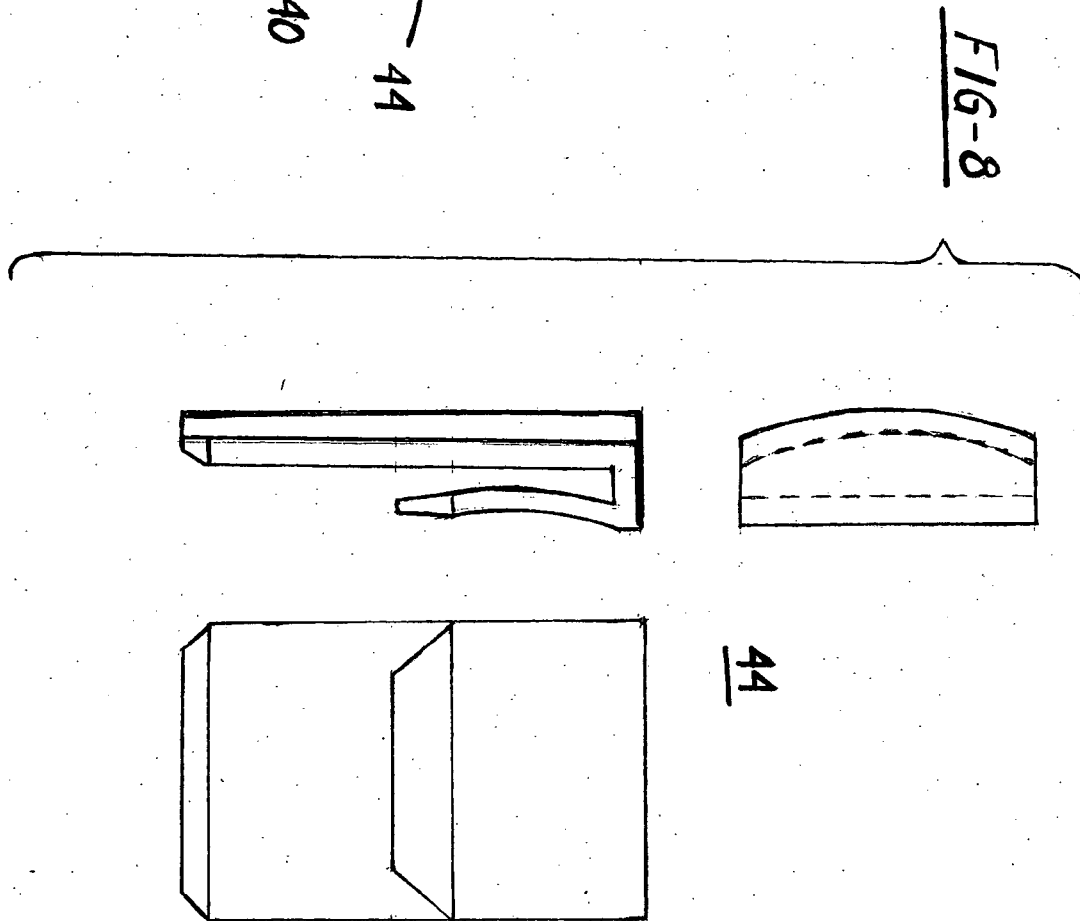
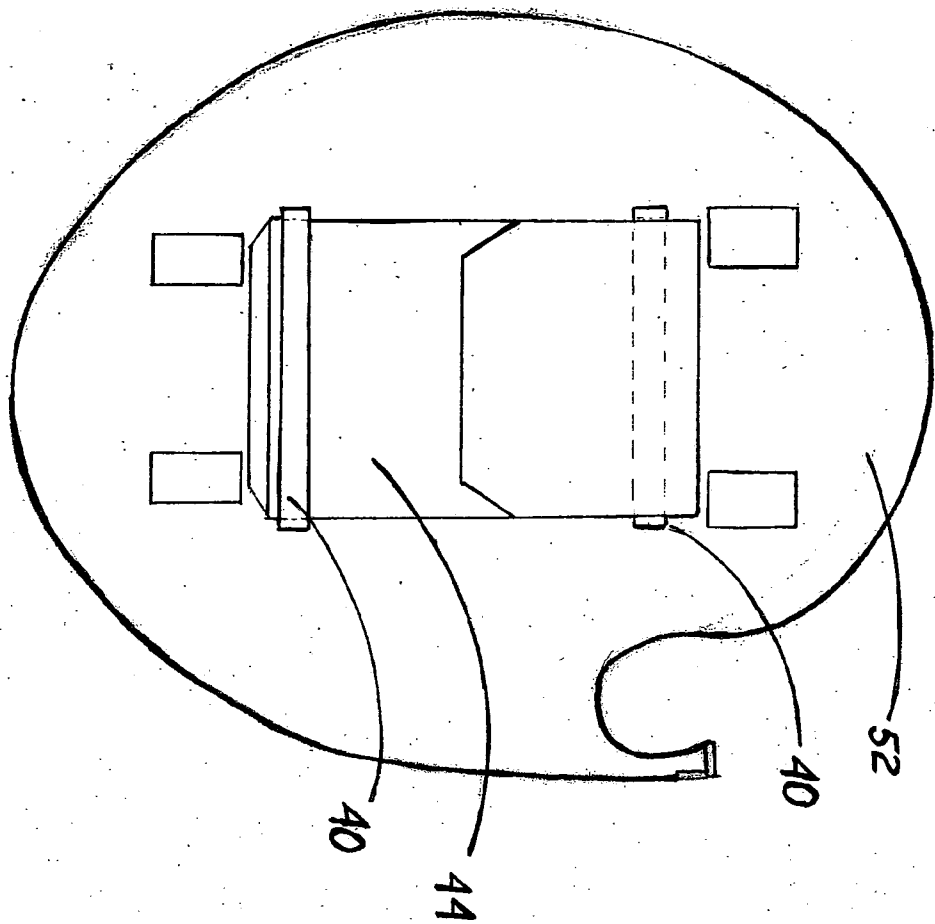
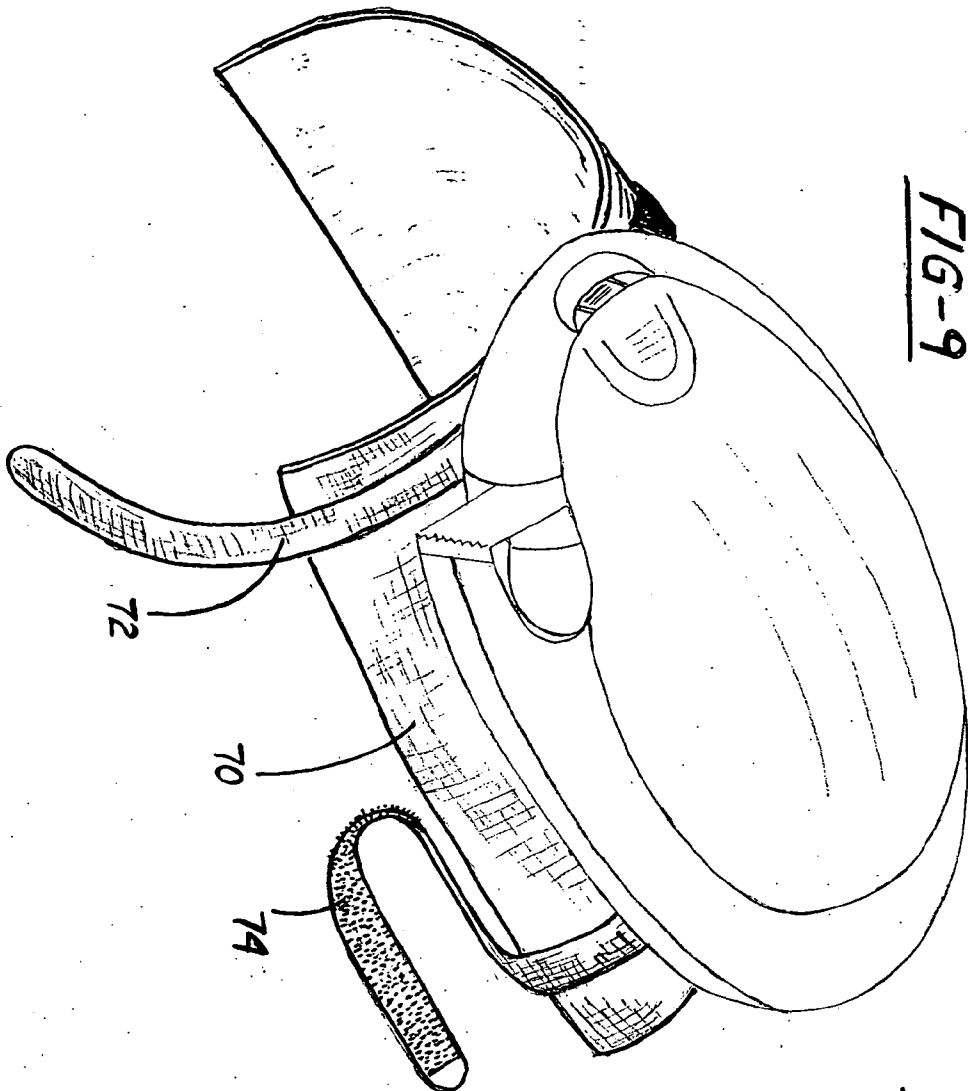
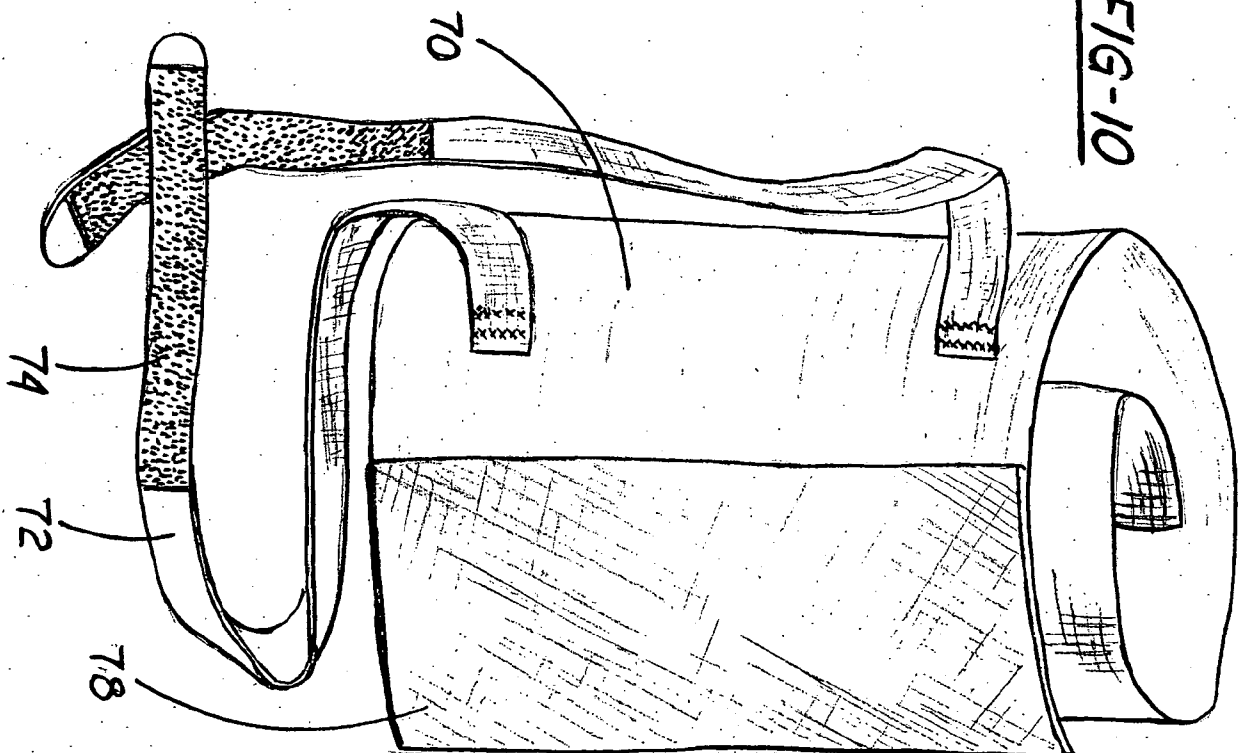


FIG-6

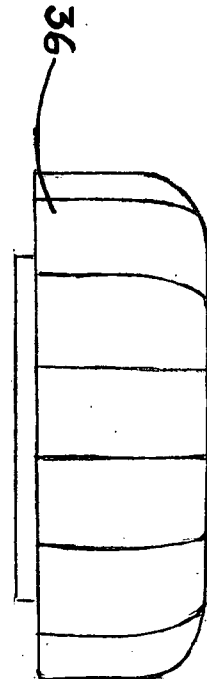
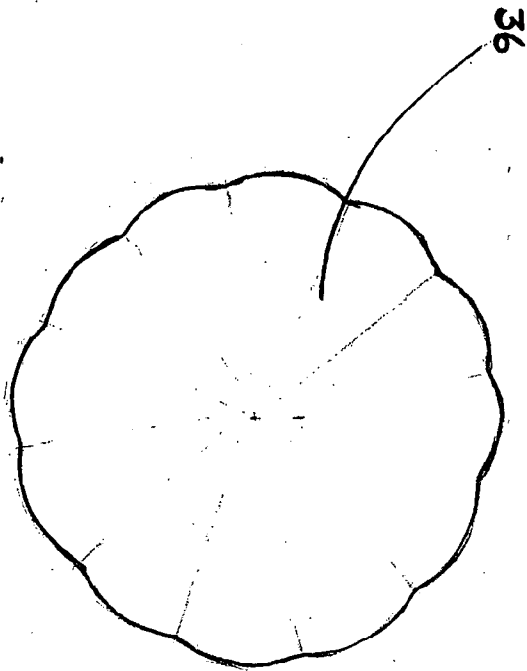
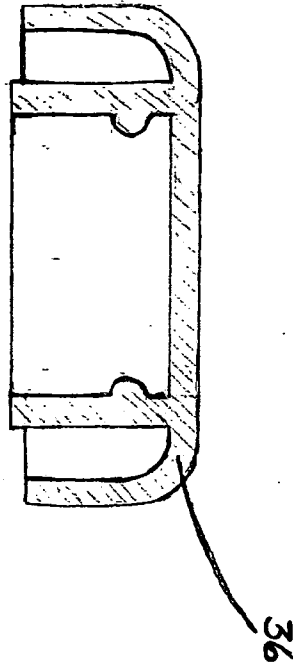
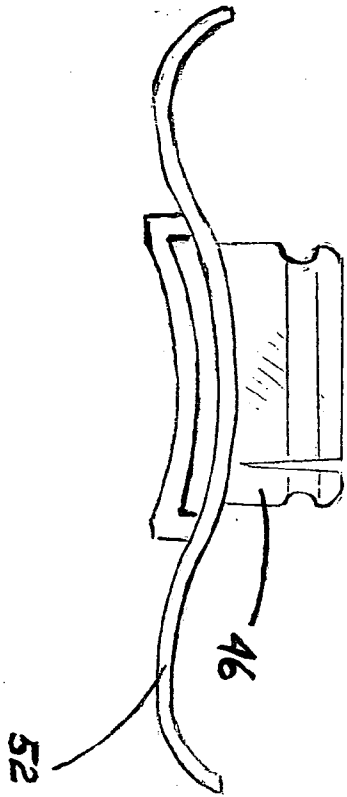




**FIG-9**



**FIG-10**





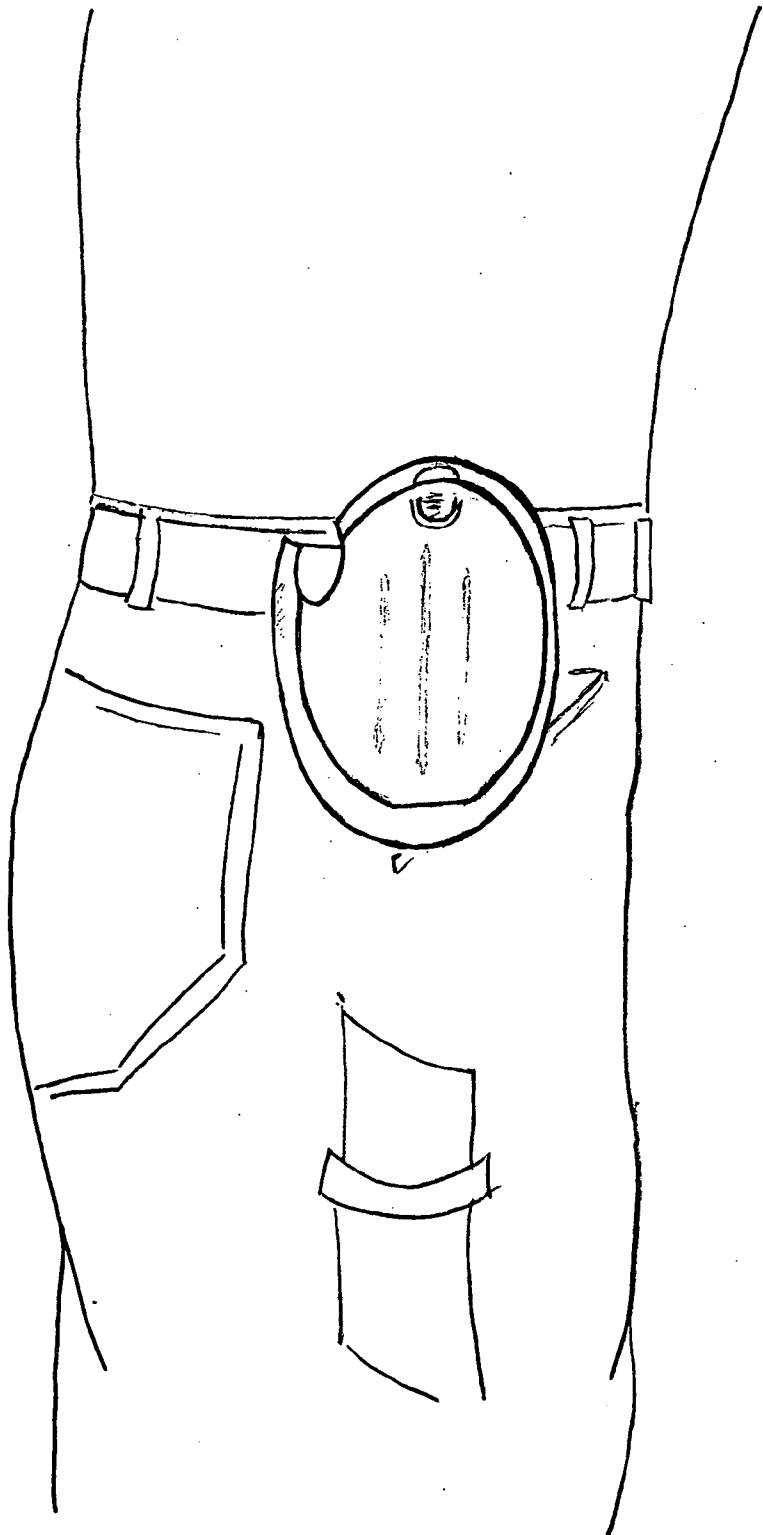


FIG-12

FIG-13

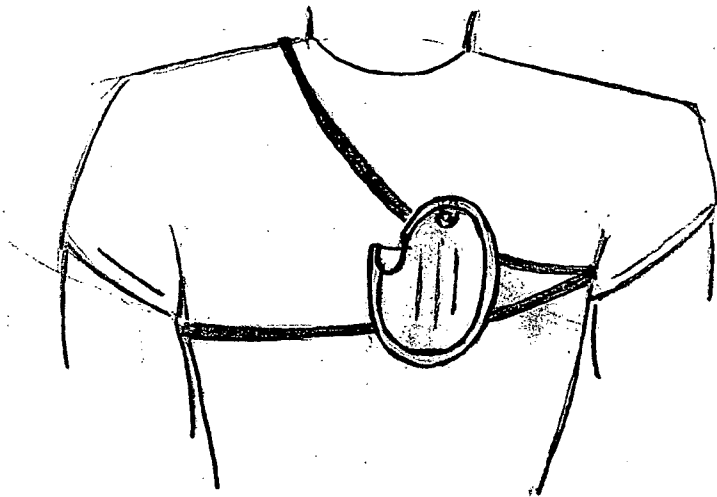


FIG-14

